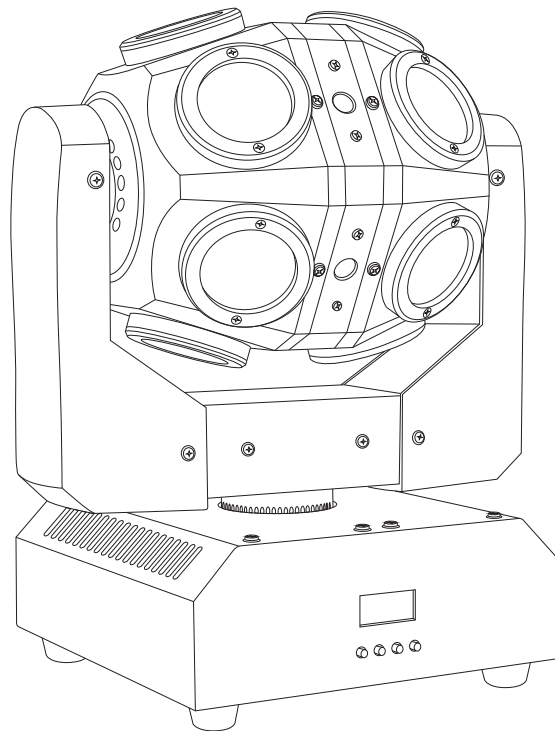




ColorKey
creative lighting



Kraken FX

CKU-1070

USER MANUAL

Table of Contents

INTRODUCTION.....	3
SAFETY	3
SERVICE & SUPPORT	3
DISPLAY OPERATION.....	4
MENU GUIDE	5
DMX VALUES.....	6
SETUP & CONNECTIONS	8
TROUBLESHOOTING	8
TECHNICAL INFORMATION	9

Please read these instructions carefully before use. Operating this fixture according to these instructions is important to avoid any possible damage or accidents caused by misuse.

Introduction

Package Contents

- Kraken FX
- IEC Power Cable
- User Manual

Safety

Caution! Opening this unit voids warranty. Contact ColorKey for any service requests.

Warning! To avoid electrical shock, be sure to disconnect power before any service or when moving or setting up the fixture.

Caution! Avoid direct eye exposure with the fixture when on.

- This fixture is for indoor use only.
- This fixture must be installed a minimum distance of 5 meters (16'4") away from any lighted objects.
- Do not install or operate this fixture near flammable materials.
- This device must be installed, operated, and maintained by a qualified professional.
- Please check if the voltage is in accordance with the rated power before installing.
- Do not operate this fixture if the power cord has been damaged. Turn off fixture and replace with a power cord of similar rating.

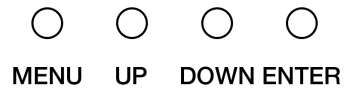
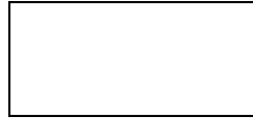
Service & Support

Your ColorKey product includes a 2-year warranty. For technical support or to register your product, please visit <https://www.colorkeyled.com/support/>

You can also reach us by phone Monday thru Friday, 8:30am – 5pm PST at (818) 578-4030.



Display Operation



- MENU: Access the menu/Scroll through menu options
- UP: Scroll through menu selection or increase parameter
- DOWN: Scroll through menu selection or parameters decrease
- ENTER: Open/Select the current menu option

Menu Guide

Menu Item	Values	Function
Addr	1-512	Set DMX Address (001 to 512)
ChNd	6ch / 12ch	Select number of DMX Channels
SLNd	MAST, SL1,	Set for Master / Slave
Auto	SP(1-9)	Adjust Auto Effects speed
Soun	So(1-9)	Set Sound Sensitivity Adjustments in Auto Mode
SEnS	SE(99-0)	Sound - Controlled Mode
LEd	On , Off	Display on or off
DiSP	dSip	Display setting
uEr	v10	Software Version
rSet	-	Reset

DMX Values

6 channels mode

Chanel	Function	Value
1	Dimmer	000-255
2	Strobe	000-007 Open
		008-255 Stroboscope (Speed 0-100%)
3	Movement	000-007 No Function
		008-022 Movement 01
		023-037 Movement 02
		038-052 Movement 03
		053-067 Movement 04
		068-082 Movement 05
		083-097 Movement 06
		098-112 Movement 07
		113-127 Movement 08
		128-142 Movement 09
		143-157 Movement 10
		158-172 Movement 11
		173-187 Movement 12
		188-202 Movement 13
		203-217 Movement 14
		218-232 Movement 15
233-247 Movement 16		
248-255 Sound Active		
4	Movement Speed	000-255 Movement Speed (slow to fast)
5	Color Chase	000-015 No Function
		016-255 (See color Chase-Table)
6	Chase Speed	000-255 Chase Speed (slow to fast)

10 channels mode

Chanel	Function	Value
1	Dimmer	000-255
2	Strobe	000-007 Open
		008-255 Strobe (Speed 0-100%)
3	Pan	000-255 Pan (0-540)
4	Pan Speed	000-255 Speed fast to slow
5	Tilt1	000-255 Tilt1 (0-360)
6	Tilt1 Rotate	000-005 Stop
		006-126 Movement forward fast to slow
		127-128 Stop
		129-249 Movement forward Slow to Fast
		250-255 Stop
7	Color Side 1	000-255 See color table
8	Color Side 2	000-255 See color table
9	Blinder	000-255
10	NA	000-255

Color Table

Color	000-007 Blackout
	008-024 Red
	025-041 Green
	042-057 Blue
	058-074 White
	075-090 R + G
	091-107 R + B
	108-123 R + W
	124-140 G + B
	141-156 G + W
	157-173 B + W
	174-189 R + G + B
	190-206 R + G + W
	207-222 R + B + W
	223-239 G + B + W
240-255 R + G + B + W	

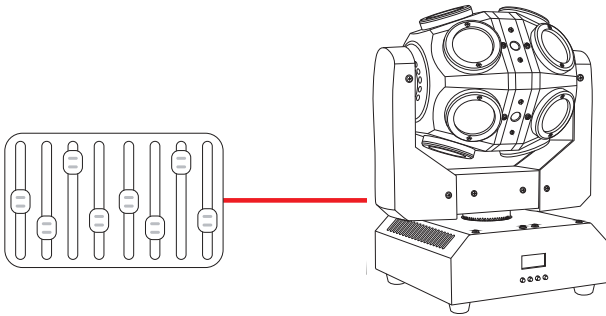
Chase Table

Color Chase	000-0015 No Function
	016-035 Chase 1
	036-056 Chase 2
	057-076 Chase 3
	078-097 Chase 4
	098-117 Chase 5
	118-138 Chase 6
	139-159 Chase 7
	160-179 Chase 8
	180-200 Chase 9
	201-220 Chase 10
	221-241 Chase 11
	242-255 Chase 12

Setup & Connections

① Wired DMX Cable Connections

Use a DMX to cable to connect to the in/out sockets on the bottom of the light for use with a cabled connection with DMX 512 control.



Troubleshooting

Problem	Solutions
No DMX control	<ul style="list-style-type: none">• Confirm cable is connected securely to both fixture and controller
Fixture does not respond to sound	<ul style="list-style-type: none">• Make sure the fixture is in Sound Active mode.

Technical Information

- 7x10W RGBW 4-in-1 CREE LEDs
- DMX Channel Modes: 6 / 10 channels
- Control modes: DMX 512, Master /Slave, Sound Active, Stand Alone
- 0-100% Dimmer
- Working temperature: up to 40°C
- Power consumption: 80W
- Power supply: AC110-240V;50-60Hz
- Product size: 11.1 x 8.1 x 7.8 in
- Net Weight: 9.1lbs

Please note: As we continue to work towards improving our products and your experience as a user, we recommend that you check our website periodically for updates to user manuals and specifications at www.ColorKeyLED.com or you may contact us directly at info@colorkeyled.com.