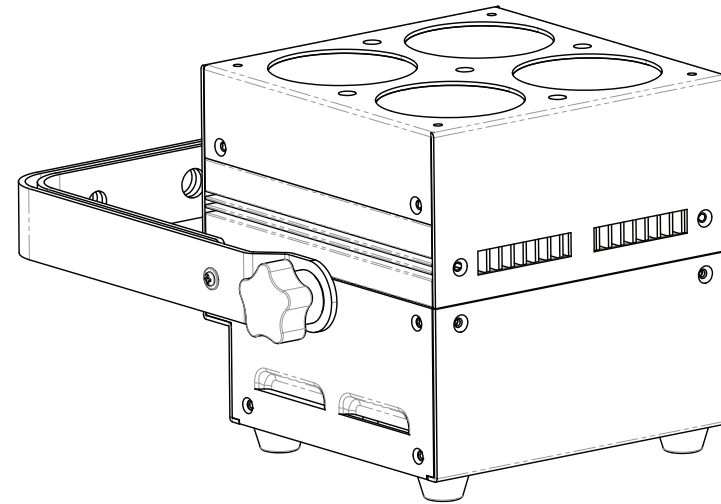


SPECIFICATIONS

Input Voltage	AC 100V - 260V,50-60Hz
Power Consumption	110W
LEDs	4 X 25 - watt R/G/B 3in1 COB LEDs
LED Life Span	50000 ~100000 hours
DMX Channels	3,9, 12 or 18CH
Control Mode	Standalone,Mater/slave, Auto,Sound Active
Signal Input & Output	3 - pin XLR Male, 3 - pin XLR Female
Function Effect	Dimmer, Strobe, Eotic, Gradual Change
Refresh Rate	1.5KHz ,flicker free for TV and camera shooting
Beam Angle	30°
Cooling Mode	Fan cooling
Protection Grade	IP20
Anti-electricity Intension	>1.5KV
Insulation Resistance	>2MΩ
Dimensions	239 X 193 X 142 mm (9.4" X 7.6" X 5.6")
Weight	2.8 kg (6.2 lbs)



StagePar COB TRI 4 CKU02-2300



USER MANUAL

TABLE OF CONTENTS

PACKAGE CONTENTS	2
SAFETY INSTRUCTIONS	3
FEATURES	4
DIMENSIONS	4
SAMPLE WIRING DIAGRAM	4
DMX TERMINATION	4
MENU SYSTEM	5
MASTER/SLAVE MODE	6
DMX CONTROL	6
TROUBLESHOOTING	11
SPECIFICATIONS	12

PACKAGE CONTENTS

- 1 X LED Flat Par Light 25 - watt x 4 COB LEDs
- 1 X User's manual
- 1 X AC power cable

TROUBLESHOOTING

Following are some sample problems and potential solutions to those problems.

Q1: The light does not turn on and the menu will not display.

A1: Check the power cable to ensure it is properly plugged in. Check the source power outlet by plugging in a different device.

Q2: The light will not turn on, but the menu does display.

A2: Using the menu, ensure that the color dimmers are not all set to 000.

Q3: The light does not respond to DMX commands.

A3: Ensure that the light is set to DMX mode with a valid DMX address. Check for address conflicts with other devices. Check the cabling to ensure that there is continuity between the light and the DMX controller. Verify that there is a terminator at the end of the chain. Verify that the DMX controller is operating properly with another DMX device.

15	103-111	Program 05	3	
	112-120	Program 06		
	121-129	Program 07		
	130-138	Program 08		
	139-147	Program 09		
	148-156	Program 10		
	157-165	Program 11		
	166-174	Program 12		
	175-183	Program 13		
	184-192	Program 14		
	193-201	Program 15		
	202-210	Program 16		
	211-219	Program 17		
	220-228	Program 18		
	229-237	Program 19		
238-246	Program 20			
247-251	Program 21			
252-255	PR01-PR21 (Each program cycle 5 times)			
16	000-255	Speed adjustment	3	Slow - fast
17	000-009	No used	2	
	010-250	Fade		Slow - fast
	251-255	Sound activated		
18	000-005	Uses the "nodE" setting	1	Similar to the "nodE" setting, but with variable speed control. DIMMERO has the fastest range, DIMMER4 the slowest. Dependent on use of channels 1-4.
	006-055	DIMMING 0		
	056-105	DIMMING 1		
	106-155	DIMMING 2		
	155-205	DIMMING 3		
	205-255	DIMMING 4		

SAFETY INSTRUCTIONS



Please read these instructions carefully. They include important information about the installation, usage and maintenance of this product.

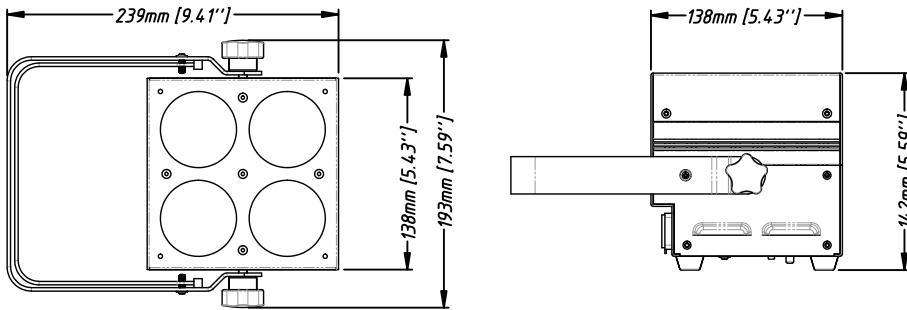
- Please keep this User Guide for future use. If you sell the unit to someone else, be sure that they also receive this User Guide.
- ALWAYS make sure that you are connecting to the proper voltage, and that the line voltage you are connecting to is not higher than that stated on the decal or rear panel of the fixture.
- This product is intended for indoor use only.
- To prevent risk of fire or shock, do not expose fixture to rain or moisture.
- Make sure there are no flammable materials close to the unit while operating.
- The unit must be installed in a location with adequate ventilation, at least 20" (50cm) from adjacent surfaces. Be sure that no ventilation slots are blocked.
- ALWAYS disconnect from the power source before servicing or replacing fuse and be sure to replace with same fuse size and type.
- ALWAYS secure fixture using a safety chain. NEVER carry the fixture by its cord. Use its carrying handles.
- DO NOT operate at ambient temperatures higher than 104°F (40°C).
- In the event of a serious operating problem, stop using the unit immediately. NEVER try to repair the unit by yourself. Repairs carried out by unskilled people can lead to damage or malfunction. Please contact the nearest authorized technical assistance center. Always use the same type spare parts.
- NEVER connect the device to a dimmer pack.
- Make sure the power cord is never crimped or damaged.
- Never disconnect the power cord by pulling or tugging on the cord.
- Avoid direct eye exposure to the light source while it is on.

Caution! There are no user serviceable parts inside the unit. Do not open the housing or attempt any repairs yourself.

FEATURES

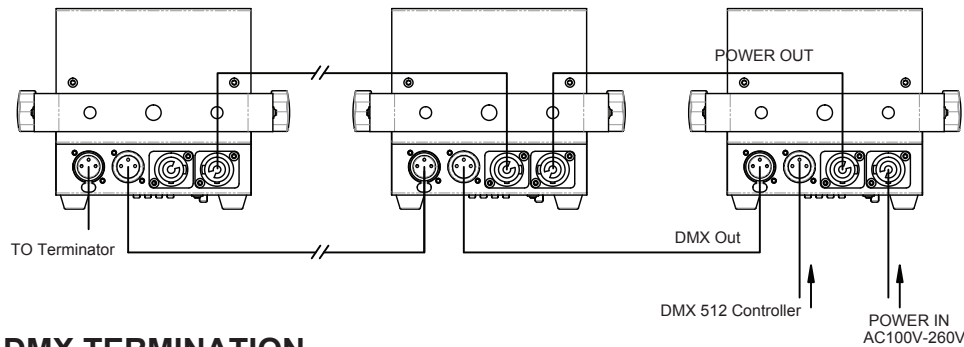
- Four 25 - watt R/G/B 3 in 1 COB LEDs.
- 3,9, 12 or 18-channel DMX modes.
- 28 built-in presets/programs.
- 32-bit smooth dimming technology.
- Flicker free for TV and camera shooting.
- Variable electronic strobe, dimming and color changing effect.
- Stand-alone, Master/Slave and DMX modes.

DIMENSIONS



SAMPLE WIRING DIAGRAM

The following diagram shows a sample wiring chain using multiple lights. Note that as with all DMX chains, the last unit must have a DMX terminator connected to the DMX output.



DMX TERMINATION

As with all DMX devices, the last unit in any chain must have a DMX terminator connected to the DMX output. If using just a single light, connect a DMX terminator to the DMX output.

A DMX terminator is a DMX plug with a 120-ohm, 1/4-watt resistor soldered between pins 2 and 3.



18CH Mode

CHANNEL	VALUE	FUNCTION	PRIORITY	REMARKS
1	000-255	General dimming 0-100%	1	
2	000-255	Red dimming 0-100%	1	1
3	000-255	Green dimming 0-100%		
4	000-255	Blue dimming 0-100%		
5	000-255	Red dimming 0-100%		
6	000-255	Green dimming 0-100%		2
7	000-255	Blue dimming 0-100%		
8	000-255	Red dimming 0-100%		
9	000-255	Green dimming 0-100%		
10	000-255	Blue dimming 0-100%		3
11	000-255	Red dimming 0-100%		
12	000-255	Green dimming 0-100%		
13	000-255	Blue dimming 0-100%		
14	000-015	dimming	2	
	016-255	Strobe (fast - slow)		
15	000-003	Not used	3	
	004-012	Red		
	013-021	Green		
	022-030	Blue		
	031-039	Red+Green		
	040-048	Green+Blue		
	049-057	Red+Blue		
	058-066	Red+Green+Blue		
	067-075	Program 01		
	076-084	Program 02		
085-093	Program 03			
094-102	Program 04			

6	220-228	Program 18	3	
	229-237	Program 19		
	238-246	Program 20		
	247-251	Program 21		
	252-255	PR01-PR21 (Each program cycle 5 times)		
7	000-255	Speed adjustment	3	Slow - fast
8	000-009	No used	2	Slow - fast
	010-250	Fade		
	251-255	Sound activated		
9	000-005	Uses the "nodE" setting	1	Similar to the "nodE" setting, but with variable speed control. DIMMERO has the fastest range, DIMMER4 the slowest. Dependent on use of channels 1-4.
	006-055	DIMMING 0		
	056-105	DIMMING 1		
	106-155	DIMMING 2		
	155-205	DIMMING 3		
	205-255	DIMMING 4		

12CH Mode

CHANNEL	VALUE	FUNCTION	PRIORITY	REMARKS
1	000-255	Red dimming 0-100%		1
2	000-255	Green dimming 0-100%		
3	000-255	Blue dimming 0-100%		
4	000-255	Red dimming 0-100%		2
5	000-255	Green dimming 0-100%		
6	000-255	Blue dimming 0-100%		
7	000-255	Red dimming 0-100%		3
8	000-255	Green dimming 0-100%		
9	000-255	Blue dimming 0-100%		
10	000-255	Red dimming 0-100%		4
11	000-255	Green dimming 0-100%		
12	000-255	Blue dimming 0-100%		

MENU SYSTEM

Use the four buttons under the LED display on the back to set the mode in which the light will operate. The buttons perform the following functions:



MENU: Accesses the menu system or backs out of editing an entry.

UP: Selects the previous mode or increases the value of the selected mode.

DOWN: Selects the next mode or decreases the value of the selected mode.

ENTER: Selects the currently displayed mode for editing or accepts the edited value.

The following table shows the menu options, their possible values, and what they mean.

ENTRY	VALUES	REMARKS
Addr	d001-d255	DMX address
UErn	UE2.0	Displays the software version number
nodE	nod0-nod4	Speed limiter (see "nodE" section for details)
LEd	on/oFF	LED display on/auto off (after about 2 minutes)
SoUA	So.UA	Sound activation mode on/off
bL- -	b000-b255	Blue dimming
GL- -	G000-G255	Green dimming
rL- -	r000-r255	Red dimming
FLAS	FL00-FL15	Strobe mode (fast-slow)
FAdE	FA00-FA15	Color fade (fast-slow)
ASC	AC00-AC15	Color jump change
Pr- -	Pr00-Pr27	Preset selection
SP- -	SP00-SP15	Program speed (fast-slow)
SLAU	SL.AU	Slave mode
CHnd	3,9,12,18CH	DMX channel selection

Notes:

USon = White balance is on

USoF = White balance if off

SEon = The white balance values will be sent to other lights in this universe.

SEoF = The local white balance values will NOT be sent to other lights.

rEt = Press the Enter button with this displayed to save the settings and exit.

If you don't want to save the changes, press the Menu button to back out of this entry.

“nodE”

The “nodE” function serves as a speed limiter for manual dims and fades. When set to “nod0”, any manual dims or fades will be in real time, meaning that light will dim or fade as fast as you move the slider on the controller. The other “nodE” values (1-4) are progressively slower than real time.

Note that this functionality is expanded in channel 10 of the 10-channel DMX control mode.

MASTER/SLAVE MODE

Whenever the light is set to a mode other than a DMX address or Slave mode, it is considered to be in Master mode. For example, when set to the Sound Activated operation, it is in a Master mode.

When the light is the Master, it will send DMX instructions to other connected lights. Those other lights must be set to Slave mode (SLAU) to receive and execute the instructions sent by the Master light.

NOTE: Only one light in any DMX Universe can be the Master. All other lights in the chain must be set to Slave mode (SLAU).

DMX CONTROL

When the light is set to a DMX address it will respond to signals from a DMX controller. The number and complexity of the signals it can respond to correspond directly to the number of channels selected. The following tables show the functions and values for each channel in the four different channel modes (3,9,12,18).

3CH Mode

CHANNEL	VALUE	FUNCTION	PRIORITY	REMARKS
1	000-255	Red dimming 0-100%		
2	000-255	Green dimming 0-100%		
3	000-255	Blue dimming 0-100%		

9CH Mode

CHANNEL	VALUE	FUNCTION	PRIORITY	REMARKS
1	000-255	General dimming 0-100%	1	
2	000-255	Red dimming 0-100%		
3	000-255	Green dimming 0-100%		
4	000-255	Blue dimming 0-100%		
5	000-015	dimming	2	
	016-255	Strobe (fast - slow)		
6	000-003	Not used	3	
	004-012	Red		
	013-021	Green		
	022-030	Blue		
	031-039	Red+Green		
	040-048	Green+Blue		
	049-057	Red+Blue		
	058-066	Red+Green+Blue		
	067-075	Program 01		
	076-084	Program 02		
	085-093	Program 03		
	094-102	Program 04		
	103-111	Program 05		
	112-120	Program 06		
	121-129	Program 07		
	130-138	Program 08		
	139-147	Program 09		
148-156	Program 10			
157-165	Program 11			
166-174	Program 12			
175-183	Program 13			
184-192	Program 14			
193-201	Program 15			
202-210	Program 16			
211-219	Program 17			