



StagePar64 Tri-COB

1x150w 3in1 COB LED (RGB)



USER MANUAL

Table of Contents

1. Introduction	1
2. Safety	2
3. DMX Values & Function	3
4. Display Operation	6
5. Menu Guide & Operation.....	7
6. DMX Connections	10
7. Master/Slave Mode Operation.....	11
8. Troubleshooting.....	11
9. Technical Information.....	12

1. Introduction

➤ Summary

Thank you for purchasing the ColorKey StagePar64 Tri-COB. Please read these instructions carefully before use. Operating this fixture according to these instructions is important to avoid any possible damage or accidents caused by misuse.

➤ Product Introduction

The ColorKey StagePar64 Tri-COB uses an aluminum Par64 style housing and adopts a 150W 3in1 (RGB) COB LED. This fixture features long life span, low power consumption, amazing color mixing and bright output. Each of the 3 colors can be independently controlled. Built-in modes include; dimming, strobe, gradual change, color fading, color pulse as well as other programs. This fixture uses a switching power supply that is light weight and requires minimal power consumption. This fixture also features universal protocol DMX-512.

➤ Packing list

- 1x StagePar64 Tri-COB
- 1x 25° Diffuser lens and mounting bezel
- User Manual
- Warranty Card

2. Safety

➤ Safety Notes

Caution! Opening this unit voids warranty. Contact ColorKey for any service requests.

Warning! To avoid electrical shock, be sure to disconnect power before any service or when moving or setting up the fixture.

Caution! Avoid direct eye exposure with the fixture when on.



➤ Safety instruction

- The StagePar64 Tri-COB has an automatic voltage switch and will automatically detect voltage when connected to power. Please be sure to check voltage is within the range of this fixtures specifications.
- Before use, check this fixture for damage that may have been caused during the shipping process. Do not use and contact ColorKey immediately should you notice any damage.
- This fixture is designed for indoor use only; operating this fixture outdoors may cause damage.
- This fixtures maybe mounted in any position provided there is adequate space for ventilation.

3. DMX Values & Function

➤ DMX 3 Channel Mode

Channel	Value	Function	Priority
CH1	0-255	Red 0-100%	
CH2	0-255	Green 0-100%	
CH3	0-255	Blue 0-100%	

➤ DMX 6 Channel Mode

Channel	Value	Function	Notes	Priority
CH1	0-255	Master Dimmer 0-100%	Must set this channel to activate color dimmers	1
CH2	0-255	Red 0-100%		
CH3	0-255	Green 0-100%		
CH4	0-255	Blue 0-100%		
CH5	0-14	Dimming	When channel 6 is set between 32-223 this channel has the function of speed adjustment (slow to fast)	2
	15-255	Strobe Speed		
CH6	0-31	N/A	Not used	3
	32-63	Built-in Program Dark to Bright	Must use Channel 1, 2, 3, and/or 4 to activate.	
	64-95	Built-in Program Bright to Dark		
	96-127	Built-in Program Dark-Bright-Dark		
	128-164	Color Fade	Must use Channel 1, 2, 3, and/or 4 to activate.	
	165-191	Dark-Bright-Dark Auto Run		
	192-223	Color Change	Refer to Channel 5 for speed adjustment	
	224-255	Sound activated		

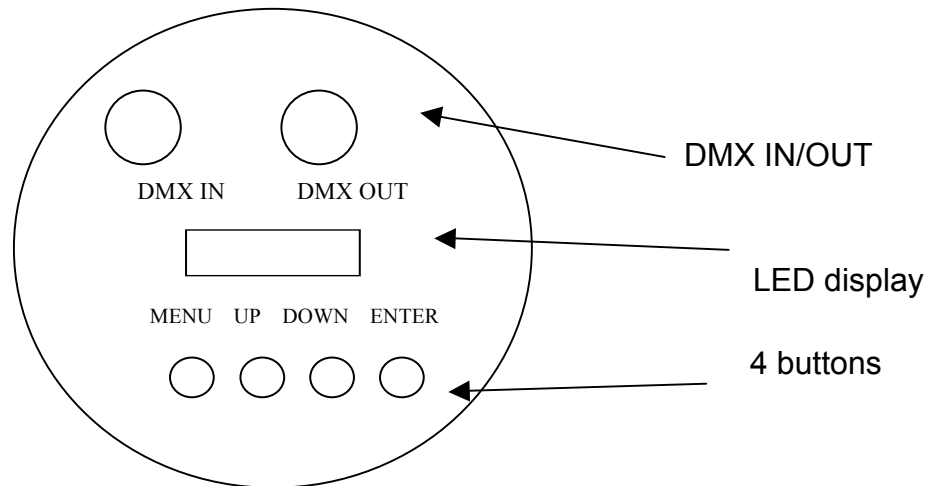
➤ DMX 7 Channel Mode

Channel	Value	Function	Notes	Priority		
CH1	0-255	Master Dimmer 0-100%	Must set this channel to activate color dimmers	1		
CH2	0-255	Red 0-100%				
CH3	0-255	Green 0-100%				
CH4	0-255	Blue 0-100%				
CH5	0-14	Dimming	When channel 6 is set between 32-223 this channel has the function of speed adjustment (slow to fast)	3		
	15-255	Strobe Speed				
CH6	0-31	N/A	Not used	3		
	32-63	Dark to Bright	Use Channel 1, 2, 3, and/or 4 to activate. Refer to Channel 5 for speed adjustment			
	64-95	Bright to Dark				
	96-127	Dark-Bright-Dark				
	128-164	Color Fade	Must use Channel 1, 2, 3, and/or 4 to activate. Refer to Channel 5 for speed adjustment			
	165-191	Auto Run				
	192-223	Color Change				
	224-255	Sound Activated				
CH7	0-9	Off		2		
	10-29	R 100%				
	30-39	R85%+Y15%				
	40-49	R60%+Y40%				
	50-69	Y 100%				
	70-79	Y85%+G15%				
	80-89	Y60%+G40%				
	90-109	G 100%				
	110-119	G85%+B15%				
	120-129	G60%+B40%				
	130-149	B 100%				
	150-159	B85%+C15%				
	160-169	B60%+C40%				
	170-189	C 100%				
	190-199	C50%+P50%				
	200-219	P 100%				2
	220-229	P50%+W50%				
	230-249	W95%+Y5%				
250-255	W 100%					

➤ DMX 8 Channel Mode

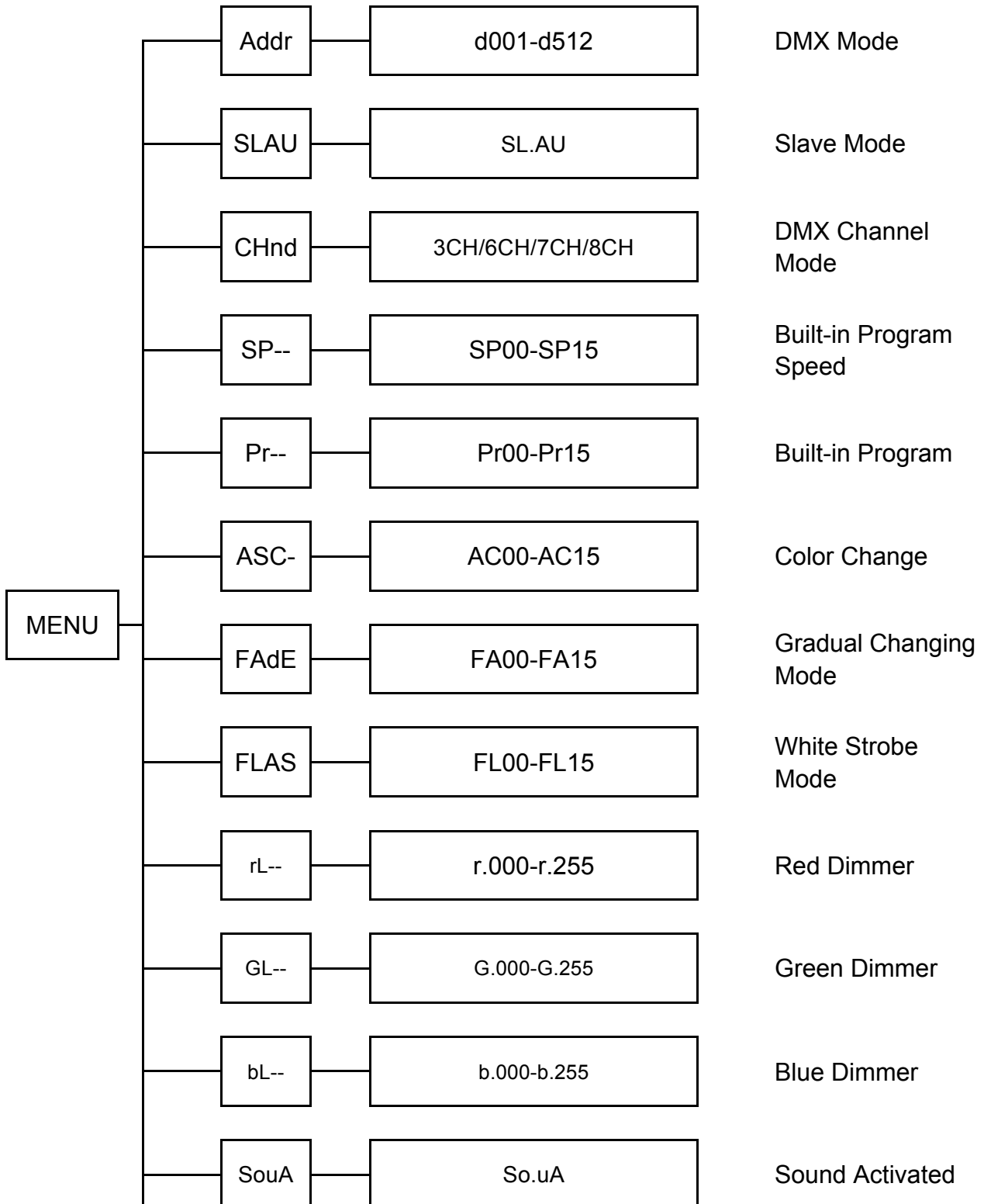
Channel	Value	Function	Notes	Priority		
1	0-255	Mstr Dim 0-100%	Must set to activate color dimmers	1		
2	0-255	Red 0-100%				
3	0-255	Green 0-100%				
4	0-255	Blue 0-100%				
5	0-14	Dimming	When channel 6 is set between 32-223 this channel has the function of speed adjustment	3		
	15-255	Strobe Speed				
6	0-31	Invalid	Must use CH 1, 2, 3 or 4 to activate. Channel 5 for speed adjustment	3		
	32-63	Dark to Bright				
	64-95	Bright to Dark				
	96-127	Dark-Bright-Dark				
	128-159	Color Fade	Must use CH 1, 2, 3 or 4 to activate. Refer to channel 5 for speed adjustment			
	160-191	Auto Run				
	192-223	Color Jump				
	224-255	Color Change				
7	0-9	Off		2		
	10-29	R 100%				
	30-39	R85%+Y15%				
	40-49	R60%+Y40%				
	50-69	Y 100%				
	70-79	Y85%+G15%				
	80-89	Y60%+G40%				
	90-109	G 100%				
	110-119	G85%+B15%				
	120-129	G60%+B40%				
	130-149	B 100%				
	150-159	B85%+C15%				
	160-169	B60+C40%				
	170-189	C 100%				
	190-199	C50%+P50%				
	200-219	P 100%		2		
	220-229	P50%+W50%				
	230-249	W95%+Y5%				
	250-255	W 100%				
	8	0-5			Set by display:	
6-55		Dimmer 0				
56-105		Dimmer 1				
106-155		Dimmer 2				
156-205		Dimmer 3				
206-255		Dimmer 4				

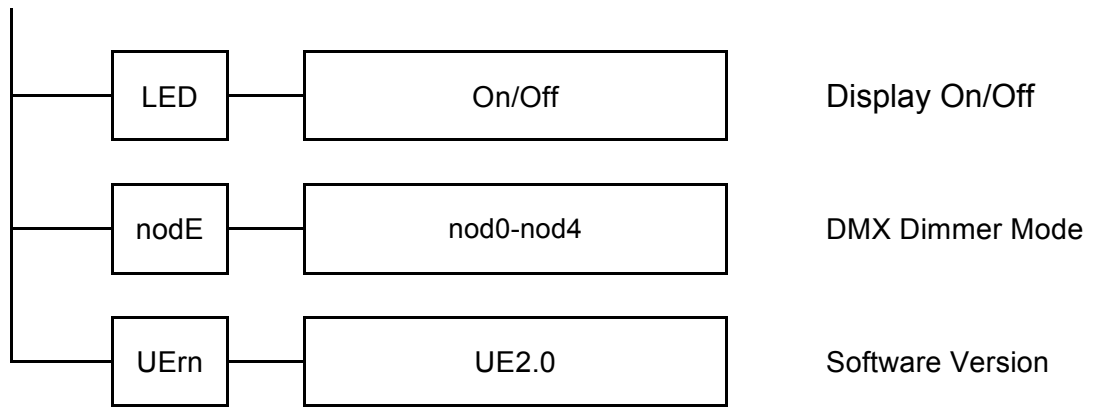
4. Display Operation



- MENU: access the menu or return to a previous menu option
- ENTER: select the current menu option
- UP: menu selection or parameter increments
- DOWN: menu selection or parameters decrease

5. Menu Guide & Operation





1. Operating instruction:

To operate your unit in DMX mode, follow these steps:

- Press MENU to activate display / return to 'main menu' screen.
- Press UP/DOWN until "Addr" is displayed.
- Press ENTER to proceed. Display will flash indicating you have entered edit mode.
- Press UP/DOWN to select desired DMX address. This will display as d001-d512.
- Press ENTER to save and store your selections. The screen will stop flashing indicating you have exited edit mode.

To select DMX Channel Mode, follow these steps:

- Press MENU to activate display / return to 'main menu' screen.
- Press UP/DOWN until "CHnd" is displayed.
- Press ENTER to proceed. Display will flash to indicating you have entered edit mode.
- Press UP/DOWN to select desired DMX channel mode (3CH, 6CH, 10CH or 11CH).
- Press ENTER to save and store your selections. The screen will stop flashing indicating you have exited edit mode.

To select Display On/Off, follow these steps:

- Press MENU to activate display / return to 'main menu' screen.
- Press UP/DOWN until "LED" is displayed.
- Press ENTER to proceed. Display will flash indicating you have entered edit mode.
- Press UP/DOWN until desired selection is displayed ("On" or "OFF").
- Press ENTER to save and store your selections. The screen will stop flashing indicating you have exited edit mode.

Note*** Display will remain on for approximately 2 minutes after the last button selection. When the display is off, press any button to activate display.

2. Details of Built-in Programs (Pr- -)

- Press MENU to activate display / return to 'main menu' screen.
- Press UP / DOWN until "Pr- -" is displayed.
- Press ENTER to proceed. Display will flash indicating you have entered edit mode.
- Press UP / DOWN until desired selection is displayed (see chart below "Pr- -").
- Press ENTER to save and store your selections. The screen will stop flashing indicating you have exited edit mode.

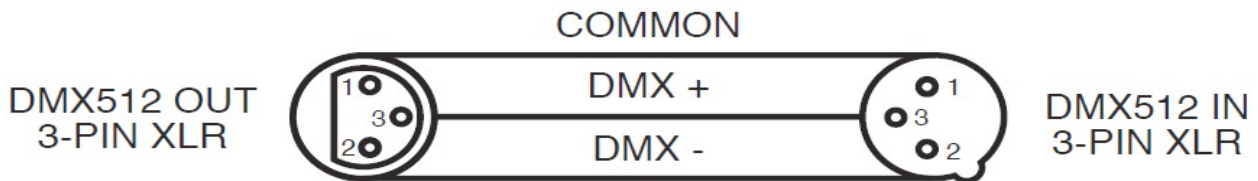
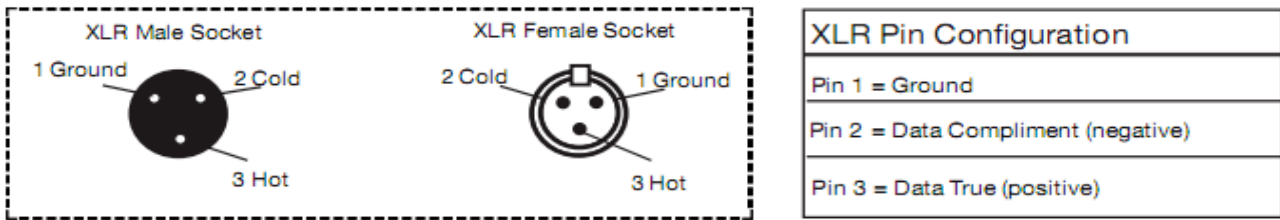
Built-in Program Chart:

- Pr32 - Pr35 are speed adjustable. SP00 is the fastest, SP15 is the slowest.
- Pr00 - Pr63: R,G,B,A,W,UV single color or multi-colors lighting
- Pr64 - 6 Color Change mode.
- Pr65 - 6 Color Change + Strobe
- Pr66 - Multi-Color Change
- Pr67 - Multi-Color Change + Strobe

6. DMX Connections

➤ DMX Cable:

The StagePar64 Tri-COB can be controlled via DMX using a 3-pin XLR connection. The standard DMX connection is XLR is: one end connects to the male plug, and the other connects to the female. As below: pin 1: ground, pin 2: negative signal, pin 3: positive signal



Noted: In order to avoid failures and interference signal transmission, we connect a resistance 120Ω ($1/4W$) at the end of the DMX connecting as below:



Termination reduces signal errors and avoids signal transmission problems and interference. It is always advisable to connect a DMX terminal, (Resistance $120\text{ Ohm } 1/4\text{ W}$) between PIN 2 (DMX-) and PIN 3 (DMX +) of the last fixture.

➤ The Conversion between 3 pin and 5 pin XLR

If the output cable of DMX512 controller is the 5PIN, please use 1pc 5PIN to 3PIN cable

3-Pin XLR to 5-Pin XLR Conversion		
Conductor	3-Pin XLR Female (Out)	5-Pin XLR Male (In)
Ground/Shield	Pin 1	Pin 1
Data Compliment (- signal)	Pin 2	Pin 2
Data True (+ signal)	Pin 3	Pin 3
Not Used		Do Not Use
Not Used		Do Not Use

7. Master/Slave Mode Operation

Master/Slave

Master/Slave mode allows you to connect multiple units together using one (1) unit to control others in a chain. When a fixture is set to 'Master Mode,' this unit will always act as a controlling unit until it is switched out of 'Master Mode'. The Master unit will send out signal via DMX to Slave units which will react in synchronization. When a fixture is set into 'Slave Mode', this fixture will receive the Master signal. To ensure a fixture is in 'Slave Mode' the fixture's display must read "SLAV". To avoid master signal and DMX signal interference, do not connect DMX when using Master/Slave mode. If using a DMX run longer than 60 meters and/or over 32 units, a signal amplifier may be required.

8. Troubleshooting

Problem	Solutions
No DMX control	<ul style="list-style-type: none">◆ Make sure that the DMX cable is properly connected◆ Make sure that the DMX controller is operational◆ Check the DMX cable for tears or breaks◆ Make sure that the fixture is in DMX mode
Fixture does not respond to sound	<ul style="list-style-type: none">◆ Make sure that the fixture is in Sound Active mode.

9. Technical Information

Input voltage: AC 100V-264V/47-63HZ

Consume: 150W

Lamp Spec: 1PC 150W 3in1(RGB) COB LED

Refresh rate :> 400HZ (32 BIT MCU processing, 16bit PWM)

Control mode: DMX512, Mater/Slave, Sound Activated, Stand Alone

Channel: 3CH/6CH/7CH/8CH

Beam Angle: 60°

Cooling mode: silent fan cooling

Anti-electricity intension: 1.5KV

Insulation Resistance: > 2 MΩ

IP rated: IP20

Dimension: 270*225*405mm

N.W.: 2.8KG

Notice to consumer: ColorKey offers a 2 year limited warranty on all products. Please visit our website at www.ColorKeyLED.com to register your product.

Please note: As we continue to work towards improving our products and your experience as a user, we recommend that you check our website periodically for updates to user manuals and specifications at www.ColorKeyLED.com or you may contact us directly at info@colorkeyled.com.